

# Joshua Gore

## Design Engineer

+1 847 513-3649  
me@joshgoreworks.com  
www.joshgoreworks.com

I am a design engineer and innovator who is passionate about future-focused, life-improving products. I love the aesthetic, engineering, and manufacturing challenges involved in making a good product great. I am looking for opportunities where my strong manufacturing background and focus on carbon composites will be a value.

### Professional Experience

2007 - Present

*Skills: Product Development, Design, Carbon Composites, Injection Molding, Class A Surface Modeling, Industrial Design, Intellectual Property*

#### Principal Designer

Josh Gore Works  
Illinois, USA

Full service product development specializing in high end products utilizing cutting edge manufacturing technologies and design tools.

2012-2014

*Skills: Design, Engineering, Manufacturing, Marketing, Intellectual Property*

#### Co-Founder

Kettle Cycles  
Illinois, USA

Created worlds first Carbon Ceramic bicycle brake rotor, and developed supporting manufacturing process for production. Raised \$75,000 through self produced video campaign.

2006-2009

*Skills: Management, Sales, Product Development*

#### Co-Founder

Simple Coffee  
Illinois, USA

Worked with a small management team to create a strong and memorable brand. Secured strong vendor relationships. Worked with buyers to meet customer needs, and secure shelf space.

2006-2007

*Skills: Industrial Design, Engineering, Class A Surface Modeling*

#### Design Engineer

Liquid Container  
Illinois, USA

Conceptualized packaging designs for multiple material processes. Engineered packaging to meet line requirements, and distribution needs. Supported engineering process through production process.

2002-2005

*Skills: Management, Design, Engineering, Sales, Intellectual Property*

#### Co-Founder

Off The Break Inc.  
Illinois, USA

Designed, manufactured, and marketed unique and innovative aftermarket product for the paintball industry. Designed and engineered prototype electro-pneumatic paintball gun. Created worlds first Soft Tipped bolt.

### Education

2000 - 2003

Studied film and video before pursuing my first startup.

#### Columbia College Chicago

Film/Video  
Illinois, USA

### Skills

Industrial Design



Carbon Fiber Composites



Ideation



Engineering



Injection Molding



Leadership



Manufacturing



Prototyping



Communication



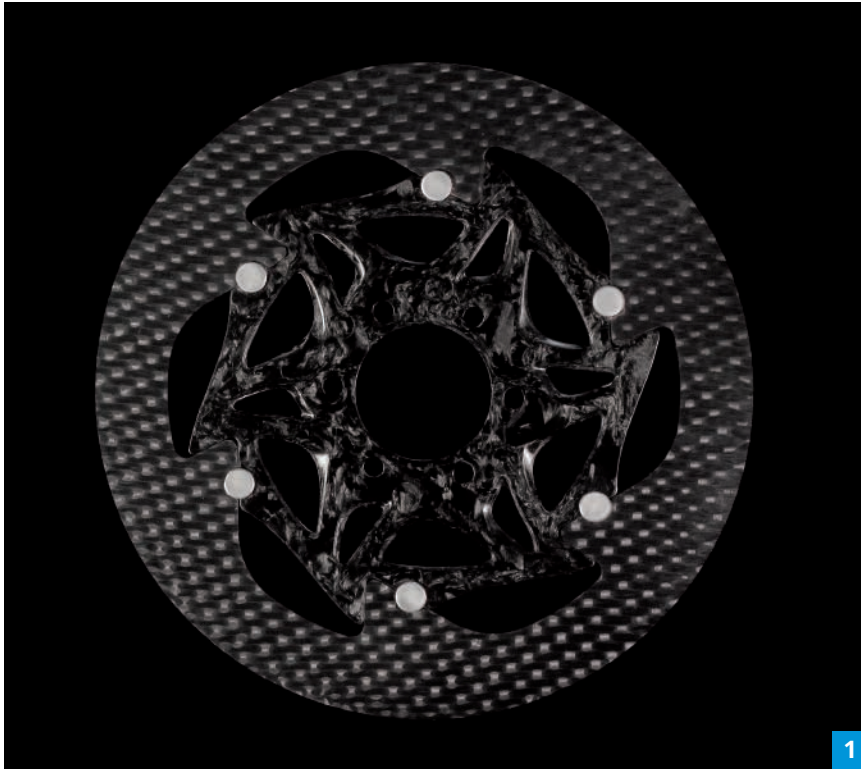
McHenry, IL 60051 USA

[www.linkedin.com/in/joshgoreworks/](http://www.linkedin.com/in/joshgoreworks/)

# Joshua Gore

## Design Engineer

+1 847 513-3649  
me@joshgoreworks.com  
www.joshgoreworks.com



### 1. SICCC ROTOR

Created worlds first Carbon Ceramic Bicycle Brake Rotor. Created manufacturing equipment required for production and marketing to support successful Kickstarter campaign.

### 2. Carbon Surgical Instrument

Created medical instrument solution utilizing carbon composites as a replacement for surgical stainless steel. Industrial Design, engineering, molding, and final assembly.

### 3. Induction Heating Power Tool

Designed, engineered, prototyped, tested and tested power tool from inception to production.

### 4. Carbon Bike Stem

Designed, engineered, and manufactured lightweight bicycle stem utilizing low cycle time, low labor carbon composites to ensure competitive price point.

### 5. Carbon Watch Buckle

Worked with startup to create the worlds first Carbon Watch Buckle. Buckle, and Tab produced from custom formulated prepreg bulk fiber. Short run production for high end watch customers.



2



3



4



5

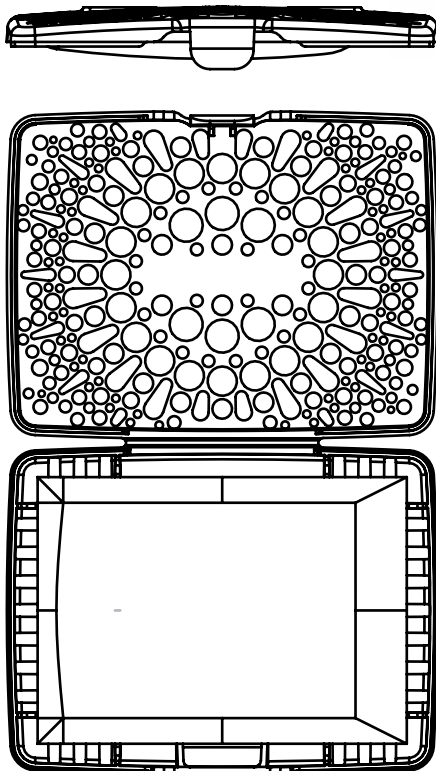
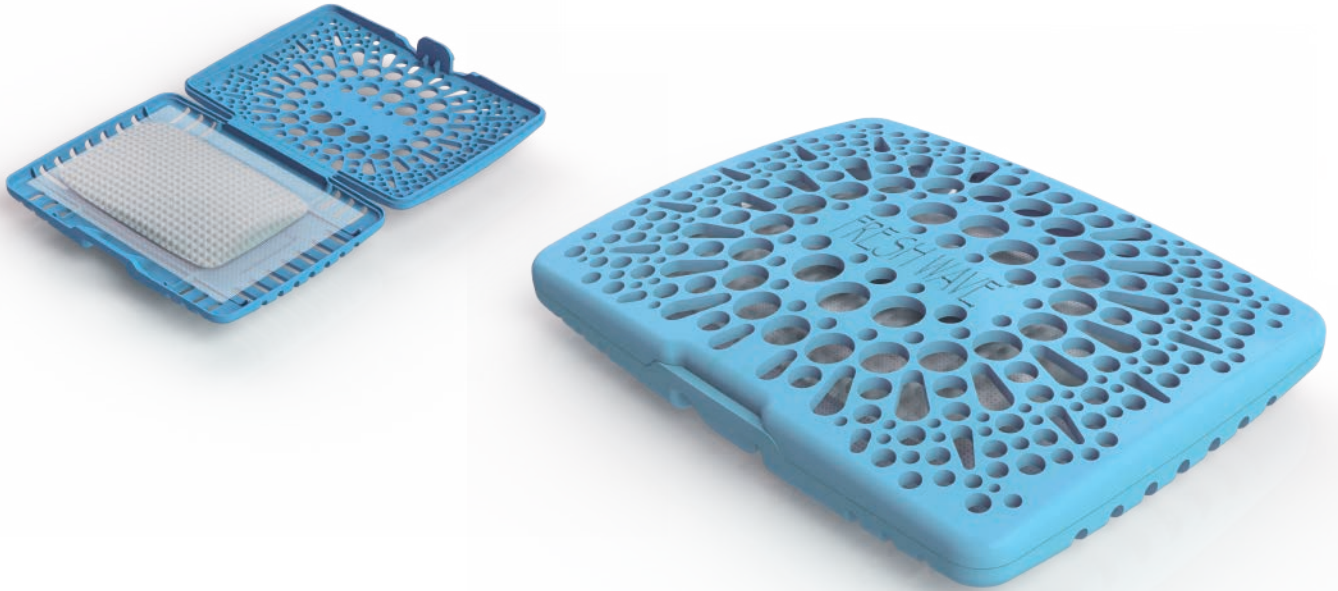
See more projects online at  
[www.joshgoreworks.com/](http://www.joshgoreworks.com/)

# Joshua Gore

## Design Engineer

+1 847 513-3649  
me@joshgoreworks.com  
www.joshgoreworks.com

### Freshwave Pod



**Fresh Wave Pod**  
Start to finish product development.



See more projects online at [www.joshgoreworks.com](http://www.joshgoreworks.com)

---

# Joshua Gore

## Design Engineer

---

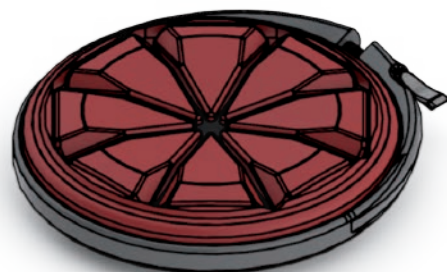
+1 847 513-3649  
me@joshgoreworks.com  
www.joshgoreworks.com

### Paintball Speed Feed



### Paintball Speed Feed

Designed, engineered, proto-typed, tested and sourced manufacturing for the patent pending Virtue Crown feed system. Three months from initial concept to first delivery.



---

See more projects online at [www.joshgoreworks.com](http://www.joshgoreworks.com)

---

McHenry, IL 60051 USA

[www.linkedin.com/in/joshgoreworks/](http://www.linkedin.com/in/joshgoreworks/)

---

---

# Joshua Gore

## Design Engineer

---

+1 847 513-3649

me@joshgoreworks.com

www.joshgoreworks.com

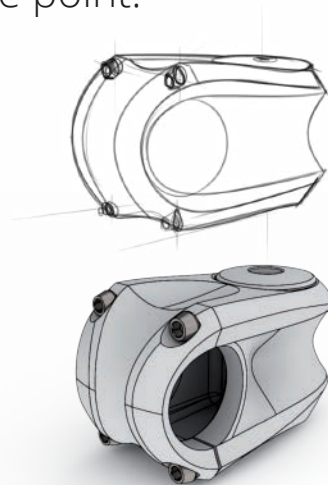
---

### Carbon Bike Stem



### Carbon Bike Stem

Designed, engineered, and manufactured lightweight bicycle stem utilizing low cycle time, low labor carbon composites to ensure competitive price point.



---

See more projects online at [www.joshgoreworks.com](http://www.joshgoreworks.com)

---

---

# Joshua Gore

## Design Engineer

---

+1 847 513-3649  
me@joshgoreworks.com  
www.joshgoreworks.com

### Carbon Watch Buckle



### Carbon Watch Buckle

Designed, engineered, and manufactured the worlds first Carbon Fiber Watch Buckle, Buckle, and Tab produced from custom formulated long fiber BMC. Short run production for high end watch customers.



---

See more projects online at [www.joshgoreworks.com](http://www.joshgoreworks.com)

---

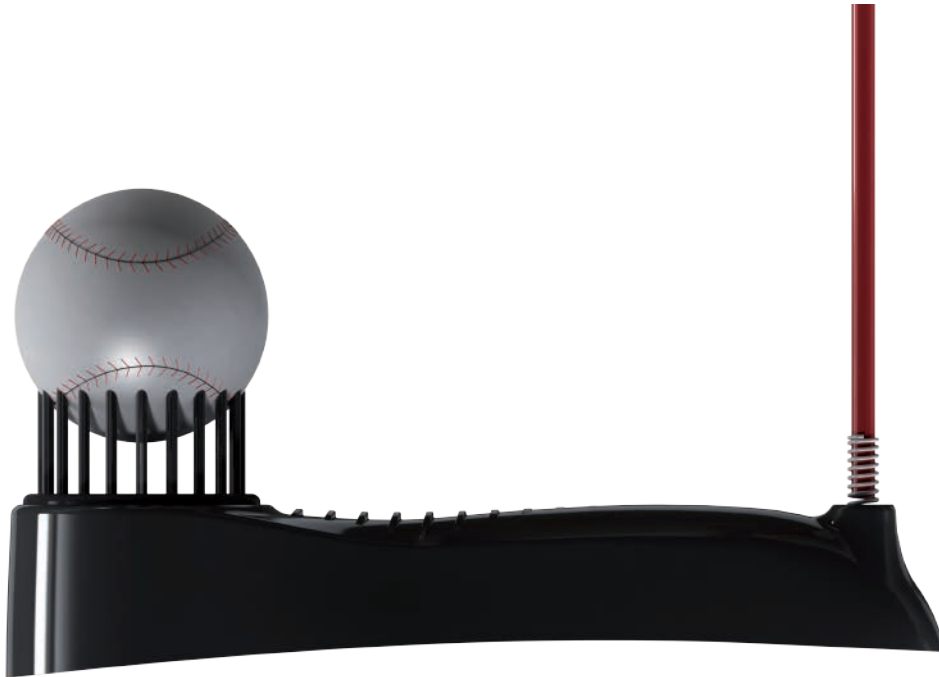
# Joshua Gore

## Design Engineer

---

+1 847 513-3649  
me@joshgoreworks.com  
www.joshgoreworks.com

### Baseball Tee



### Baseball Tee

Worked with startup to help revolutionize the way baseball players train. Designed and engineered final assemblies.



---

See more projects online at [www.joshgoreworks.com](http://www.joshgoreworks.com)